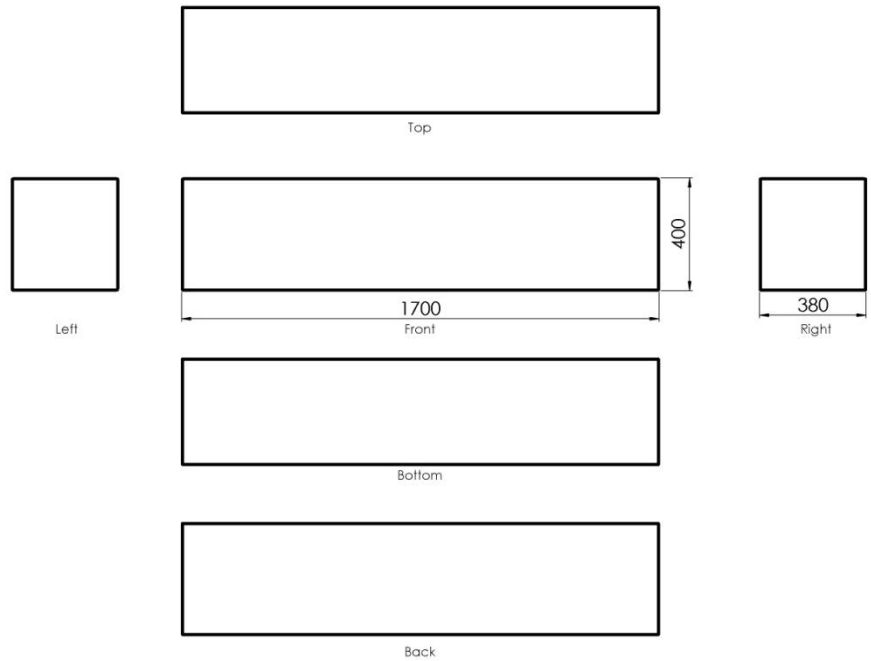
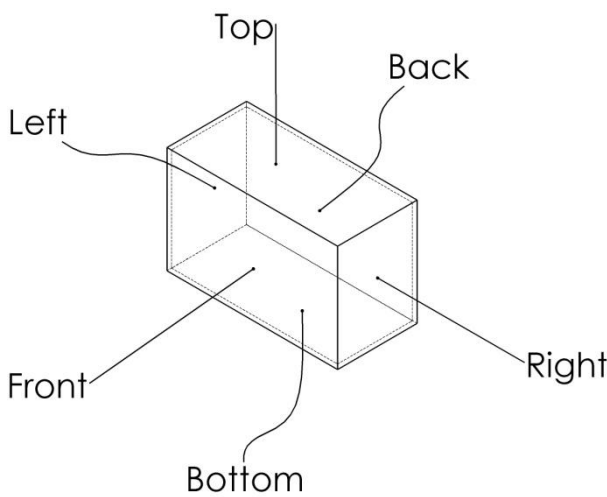


MELRO CUSTOM TANK FITOUT ORDER FORM

Name:	Tank size: 240L Caravan
Company:	Application:
Contact:	Material:
	Colour:

Please mark up the image below.



	Fittings required	Face	Distance from left edge	Distance from base
A				
B				
C				
D				
E				
F				
G				
H				

Please send your completed order to:
Email: melro@melro.com.au
Fax: 03 8677 1795

If you have any queries, please call us: 03 5940 4334